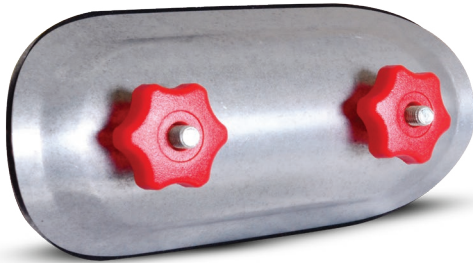
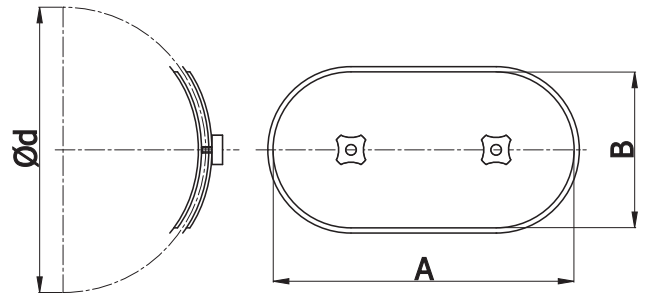


Access Doors

IPR



Dimensions



Description

IPR access door is equipped with CR EPDM gasket and designed for fitting onto round ducts. Its structure, together with adhesive gasket, makes an ideal alignment with a round duct surface. Hence a high class air tightness is guaranteed. It is a simple and effective yet a low cost method for closing inspection openings. Opening sizes are dependent on ducts diameters according to PN-EN 12907 regulation.

Another factor influencing an opening size is cleaning method - in some cases even an 800x400mm access door is required. To ensure an easy installation a self-adhesive cut-out template is included. After loosening the knobs, put the inner cover into the duct, adjust position and tighten the knobs.

Available materials:

IPR-... - galvanized steel

Example identification

Product code: IPR - aaa

type _____
 Ød _____

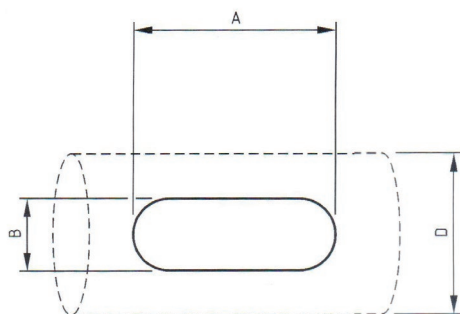
$\varnothing d$ nom [mm]	A [mm]	B [mm]	weight [kg]	diameters range
80	180	80	0,3	76 -85
100	180	80	0,3	96-105
125	180	80	0,3	121-130
150	250	150	0,4	130-155
160	250	150	0,4	156-190
200	250	150	0,4	191-240
250	250	150	0,4	241-300
315	250	150	0,4	301-360
355	300	200	0,4	341-380
400	300	200	1,0	381-420
450	300	200	1,0	421-470
500	300	200	1,0	471-530
560	400	300	2,0	531-600
600	400	300	2,0	570-640
630	400	300	2,0	601-670
710	400	300	2,0	671-750
800	400	300	2,0	751-850

* A and B - dimensions of the hole to be cut in the duct

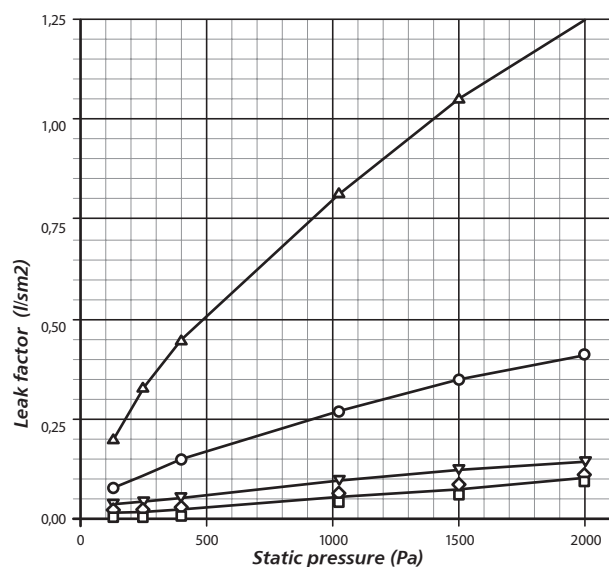
Technical data

Minimal opening dimensions regarding duct size according to PN-EN 12907:

Oval or rectangular opening	
Nominal duct diameter (mm) D	Minimum dimensions for openings in ducts' sides (mm) AxB
$100 \leq D < 200$	180x80
$200 \leq D < 315$	200x100
$315 \leq D < 500$	300x200
$500 < D$	500x300



IPR access doors with gasket guarantee highest air tightness class for ventilation systems, provided fittings with gaskets are used.



- ◇ overpressure test result
- negative pressure test result
- ▲ Tightness class B
- Tightness class C
- ▼ Tightness class D

CR EPDM cellular sponge gasket is resistant to weathering and UV radiation – therefore suitable for outdoor usage. During outdoor installation rain water accumulation areas should be avoided. Temperature range: -30°C to +120°C.